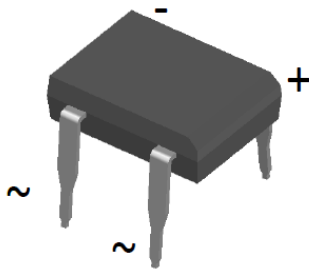


## Glass Passivated Bridge Rectifiers



### PINNING

PIN	DESCRIPTION
1	Input Pin (~)
2	Input Pin (~)
3	Output Anode (+)
4	Output Cathode (-)

### Features

- Compliant with RoHS Provisions
- Low forward voltage, high forward current
- High forward surge current capability
- High heat-conducting performance
- Thermal welding performance:  
260 °C/10sec

### Applications

- Switching Power Supply
- Home Appliances, Office Devices
- Industrial Auto-equipments

### Maximum Ratings and Electrical characteristics

Ratings at 25 °C ambient temperature unless otherwise specified.

Single phase half-wave 60 Hz, resistive or inductive load, for capacitive load current derate by 20 %.

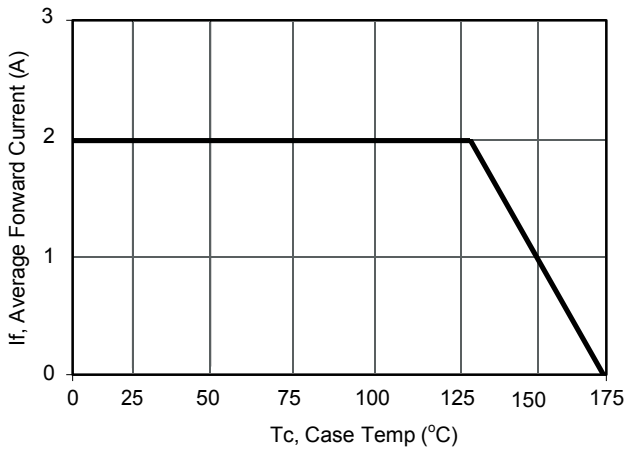
Parameter	Symbols	DB207	Units
Maximum Repetitive Peak Reverse Voltage	VRRM	1000	V
Maximum RMS voltage	VRMS	800	V
Maximum DC Blocking Voltage	VDC	1000	V
Average Rectified Output Current	$I_o$	2.0	A
Peak Forward Surge Current 8.3 ms Single Half Sine Wave Superimposed on Rated Load (JEDEC Method)	IFSM	60	A
$I^2 t$ rating for fusing ( 1ms < $t$ < 8.3ms)	$I^2 t$	15	A <sup>2</sup> S
Maximum Forward Voltage at 1.0 A	VF	1.0	V
Maximum DC Reverse Current @TA=25 °C at Rated DC Blocking Voltage @TA=125 °C	IR	5 500	μA
Typical Junction Capacitance (Note1)	Cj	25	pF
Operating and Storage Temperature Range	Tj, Tstg	-55 ~ +175	°C
Typical thermal resistance (Note 2)	RthJC RthJA	20 60	°C/W

Note: 1. Measured at 1MHz and applied reverse voltage of 4 VDC.

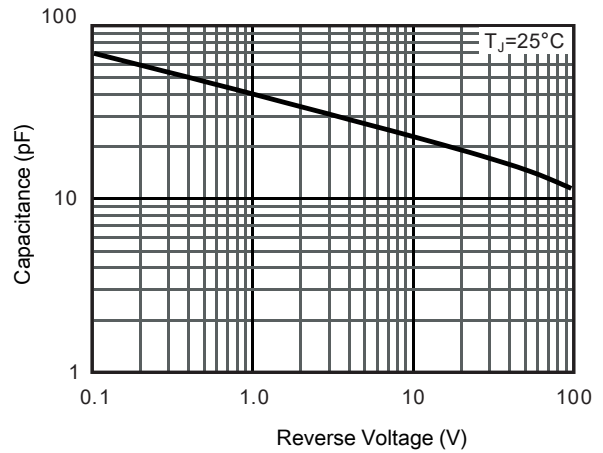
2. Thermal resistance junction to case, lead and ambient in accordance with JESD-51.

Unit mounted on glass-epoxy substrate with 1oz/ft<sup>2</sup> 20x20 mm copper pad per pin with heatsink

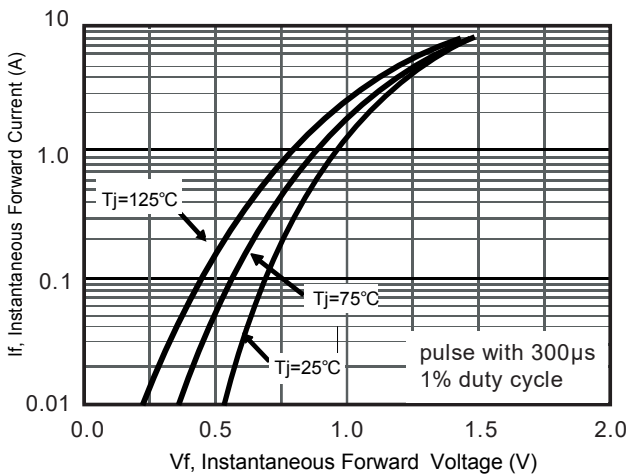
## RATINGS AND CHARACTERISTICS CURVES (TA = 25 °C unless otherwise noted)



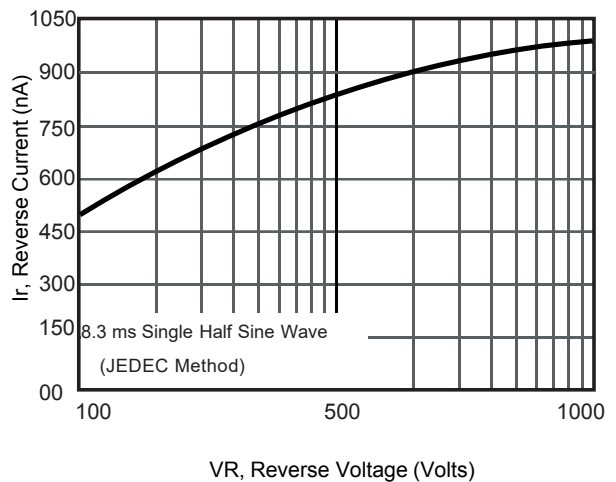
Current Derating, Case



Typical Junction Capacitance



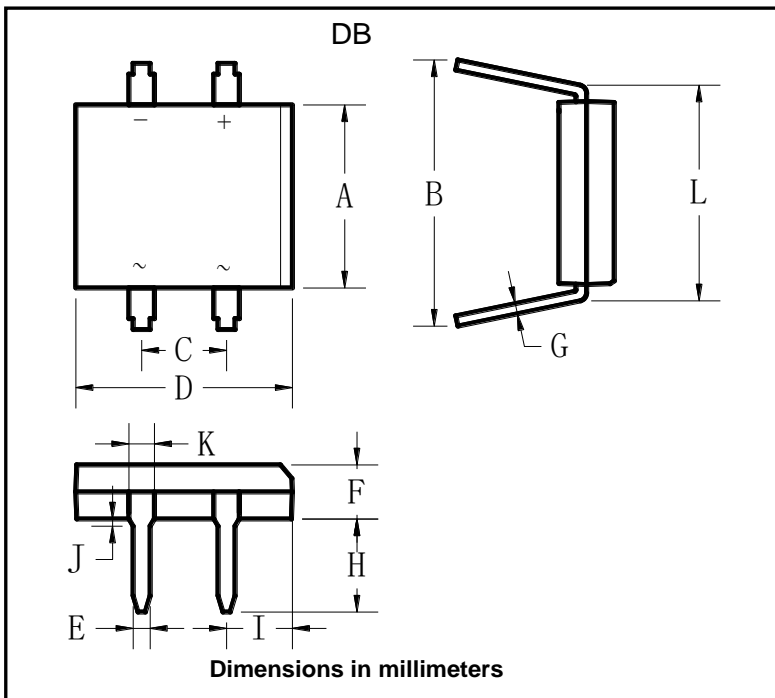
Typical Forward Voltage



Typical Reverse Current

## PACKAGE OUTLINE DIMENSIONS

Dimensions in millimeters



DB		
Dim	Min	Max
A	6.20	6.50
B	7.60	8.90
C	5.00	5.20
D	8.13	8.51
E	0.46	0.58
F	2.80	3.30
G	0.22	0.33
H	3.81	4.69
I	1.39	1.90
J	1.27	2.03
K	0.89	1.14
L	7.24	8.00