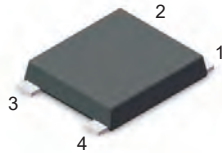


Special For DC-AC Rectifier Bridge



LSB Package

PINNING

PIN	DESCRIPTION
1	Input Pin (~)
2	Input Pin (~)
3	Output Anode (+)
4	Output Cathode (-)

Features

- Glass Passivated Chip Junction
- Reverse Voltage - 300V/600V
- Forward Current - 8A
- High Surge Current Capability
- Designed For Surface Mount Application

Benefits

- Case: LSB
- Terminals: Solderable Per MIL-STD-750
- Reduced power loss and switching transistor

Maximum Ratings and Electrical characteristics

Ratings at 25 °C ambient temperature unless otherwise specified.

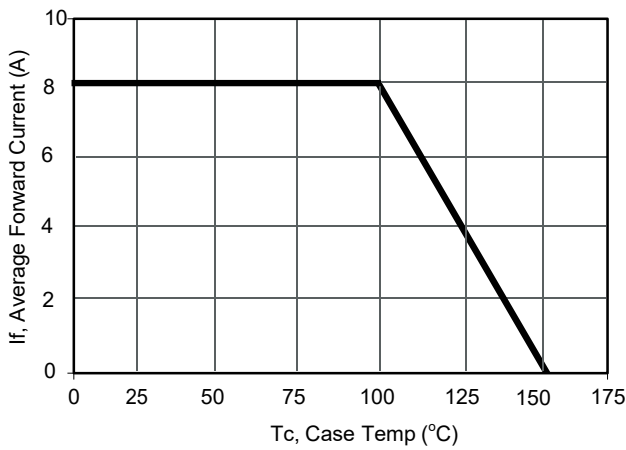
Single phase half-wave 60 Hz, resistive or inductive load, for capacitive load current derate by 20 %.

Parameter	Symbols	LSB803E50	LSB806E50	Units
Maximum Repetitive Peak Reverse Voltage	VRRM	300	600	V
Maximum RMS voltage	VRMS	210	420	V
Maximum DC Blocking Voltage	VDC	300	600	V
Average Rectified Output Current	I_o	8.0		A
Reverse Recovery Time. $I_F=0.5A, I_R=1A, I_{RR}=0.25A$	T_{rr}	75		ns
Peak Forward Surge Current 8.3 ms Single Half Sine Wave Superimposed on Rated Load (JEDEC Method)	I_{FSM}	175		A
$I^2 t$ rating for fusing (1ms < t < 8.3ms)	$I^2 t$	127		A ² S
Maximum Forward Voltage at 4.0 A	V_F	1.0	1.30	V
Maximum DC Reverse Current @ $T_A=25\text{ }^\circ\text{C}$ at Rated DC Blocking Voltage @ $T_A=125\text{ }^\circ\text{C}$	I_R	10 500		μA
Typical Junction Capacitance (Note1)	C_j	40		pF
Operating and Storage Temperature Range	T_j, T_{stg}	-55 ~ +175		$^\circ\text{C}$
Typical thermal resistance (Note 2)	R_{thJC} R_{thJA}	6 12		$^\circ\text{C/W}$

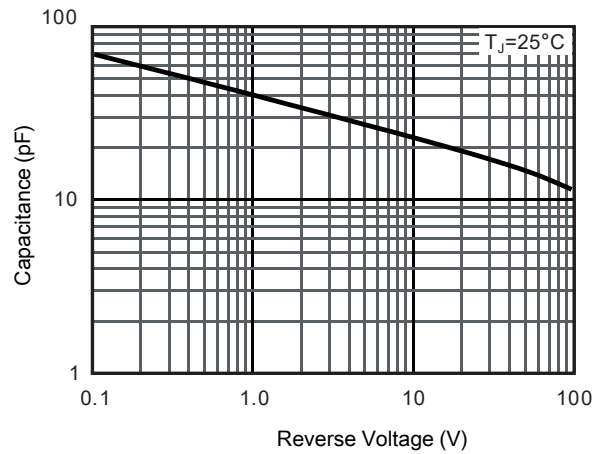
Note: 1. Measured at 1MHz and applied reverse voltage of 4 VDC.

2. Thermal resistance from Junction to case, lead and ambient in accordance with JEDEC-51. Unit mounted on 15mm*12mm*1.6mm AL pad attach 195mm*195mm*10mm steel plate

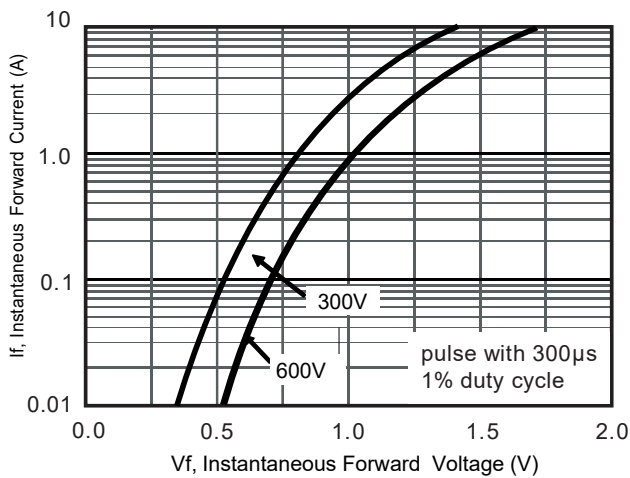
RATINGS AND CHARACTERISTICS CURVES (TA = 25 °C unless otherwise noted)



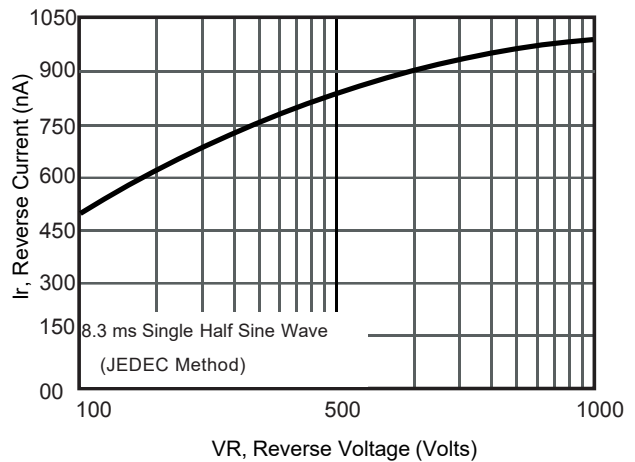
Current Derating, Case



Typical Junction Capacitance



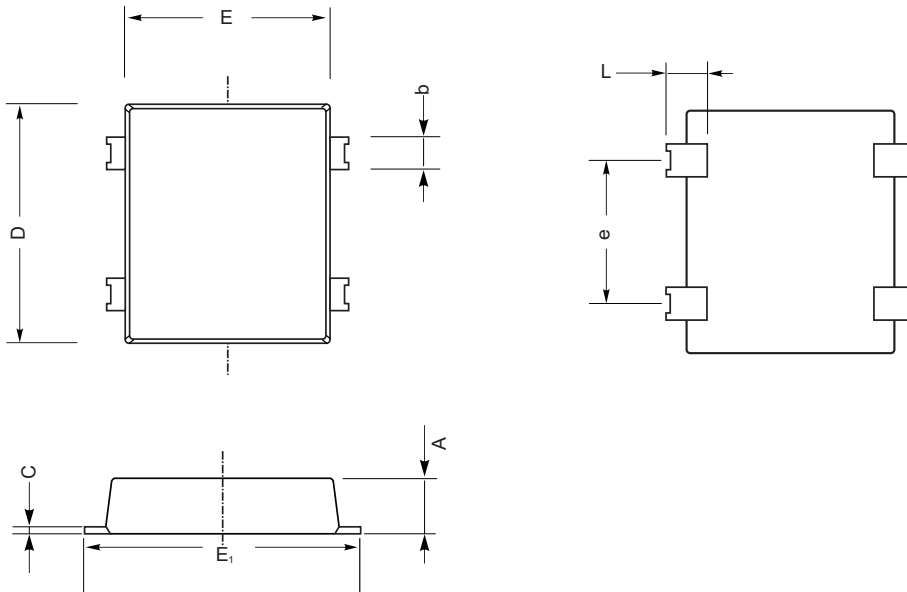
Typical Forward Voltage



Typical Reverse Current

PACKAGE OUTLINE DIMENSIONS

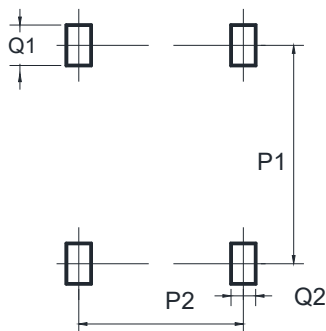
LSB



LSB mechanical data

UNIT		A	C	D	E	E1	L	e	b
mm	max	1.75	0.55	9.8	8.8	10.2	1.25	5.3	1.55
	min	1.35	0.25	9.4	8.4	9.8	0.85	4.9	1.25
mil	max	68	21.6	385	346	401	49	209	61
	min	53	9.8	370	330	385	33	193	49

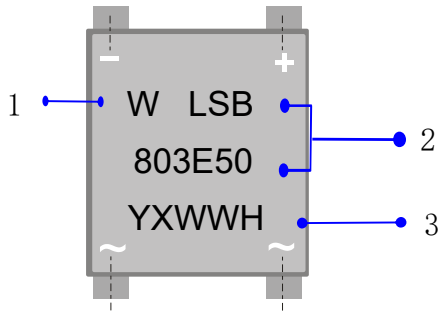
LSB Suggested Pad Layout



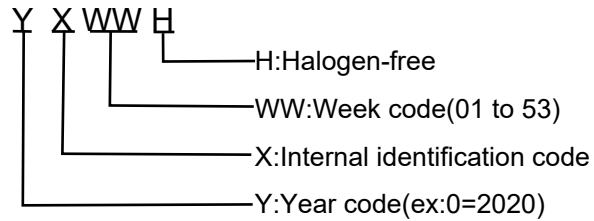
UNIT		P1	P2	Q1	Q2
mm	min	10.0	5.10	1.5	1.8
mil	min	393.7	200.8	59.1	70.9

Dimensions is millimeters

Marking Information

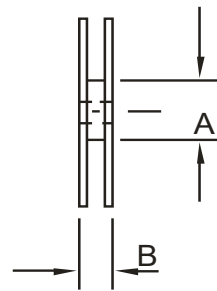
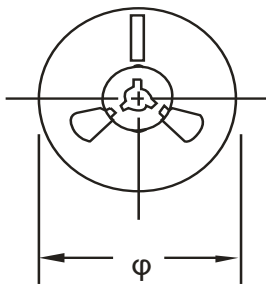


- ① Company Brand:W
- ② Product model : LSB803E50 or LSB806E50
- ③ PDC information:

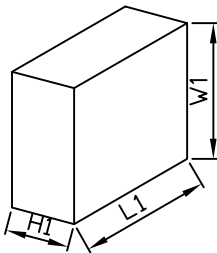


Packaging Information

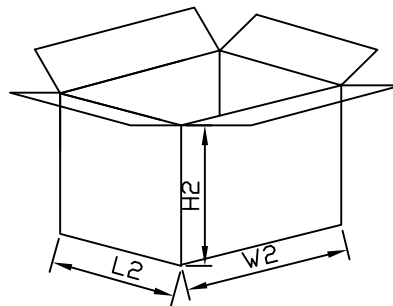
1.Reel Dimensions



2. Inside Box



3. Outside Box



Packaging Information

NO	UNIT	Reel Dimensions			Inside Box			Outside Box		
		φ	A	B	L1	W1	H1	L2	W2	H2
Size	mm	330	100	15	340	340	46	360	360	270
QTY	PCS	Smallest package,3000PCS/reel			6,000PCS,2 reel in total			30,000PCS/carton,5boxes in total		
Note	Tolerance ≤20mm,±3mm; 21-100mm,±5mm; 101-500mm,±10mm									