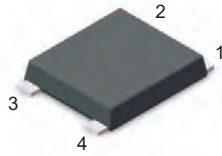


BRIDGE RECTIFIER



LSB Package

PINNING

PIN	DESCRIPTION
1	Input Pin (~)
2	Input Pin (~)
3	Output Anode (+)
4	Output Cathode (-)

Features

- Glass Passivated Chip Junction
- Reverse Voltage - 1000 V
- Forward Current - 4 A
- High Surge Current Capability
- Designed For Surface Mount Application

Benefits

- Case: LSB
- Terminals: Solderable Per MIL-STD-750
- Approx. Weight: 0.461g / 0.0163oz

Maximum Ratings and Electrical characteristics

Ratings at 25 °C ambient temperature unless otherwise specified.

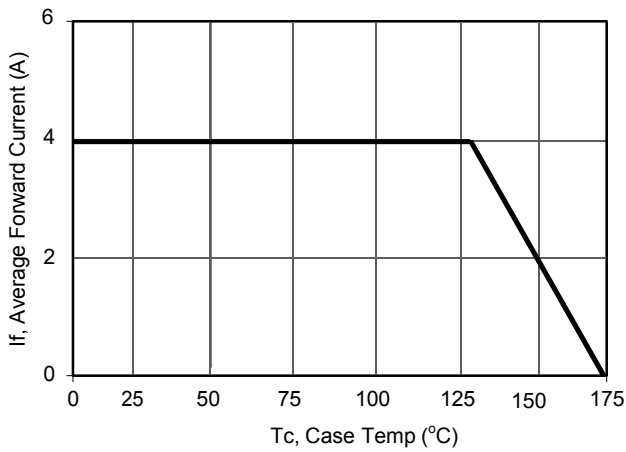
Single phase half-wave 60 Hz, resistive or inductive load, for capacitive load current derate by 20 %.

Parameter	Symbols	LSB40M	Units
Maximum Repetitive Peak Reverse Voltage	VRRM	1000	V
Maximum RMS voltage	VRMS	700	V
Maximum DC Blocking Voltage	VDC	1000	V
Average Rectified Output Current	I _o	4	A
Reverse Recovery Time. IF=0.5A,IR=1A,IRR=0.25A	T _{rr}	10	us
Peak Forward Surge Current 8.3 ms Single Half Sine Wave Superimposed on Rated Load (JEDEC Method)	IFSM	120	A
I ² t rating for fusing (1ms< t < 10ms)	I ² t	60	A ² S
Maximum Forward Voltage at 2.0 A	V _F	1.1	V
Maximum DC Reverse Current @TA=25 °C at Rated DC Blocking Voltage @TA=125 °C	I _R	5 100	μA
Typical Junction Capacitance (Note1)	C _j	35	pF
Operating and Storage Temperature Range	T _j , T _{stg}	-55 ~ +175	°C
Typical thermal resistance (Note 2)	R _{thJC} R _{thJA} R _{thJL}	10 70 12	°C/W

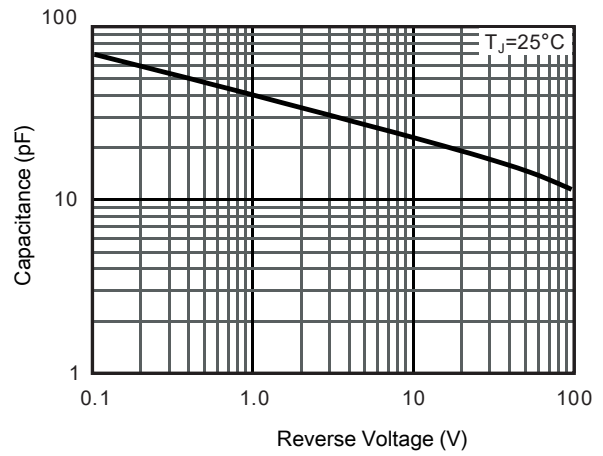
Note: 1. Measured at 1MHz and applied reverse voltage of 4 VDC.

2. Mounted on glass epoxy PC board with 4 × 1.5" × 1.5" (3.81 × 3.81 cm) copper pad

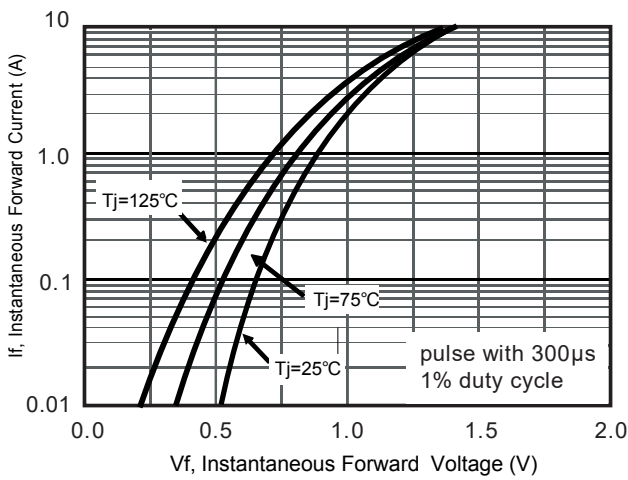
RATINGS AND CHARACTERISTICS CURVES (TA = 25 °C unless otherwise noted)



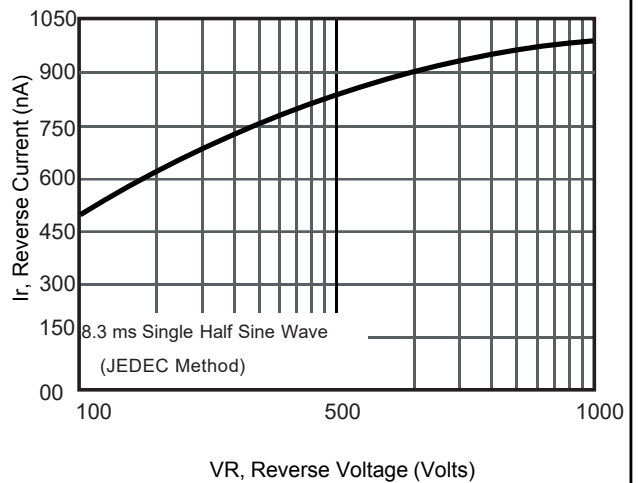
Current Derating, Case



Typical Junction Capacitance



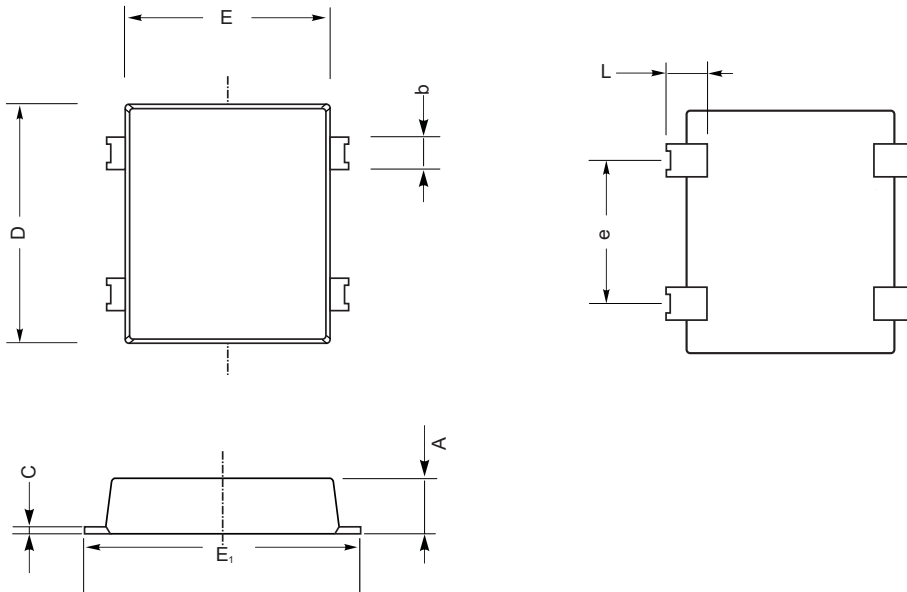
Typical Forward Voltage



Typical Reverse Current

PACKAGE OUTLINE DIMENSIONS

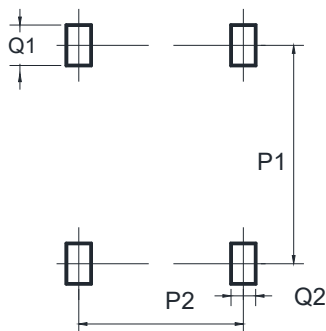
LSB



LSB mechanical data

UNIT		A	C	D	E	E1	L	e	b
mm	max	1.75	0.55	9.8	8.8	10.2	1.25	5.3	1.55
	min	1.35	0.25	9.4	8.4	9.8	0.85	4.9	1.25
mil	max	68	21.6	385	346	401	49	209	61
	min	53	9.8	370	330	385	33	193	49

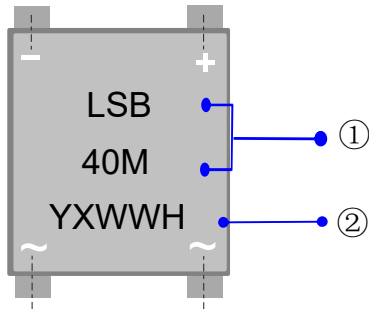
LSB Suggested Pad Layout



UNIT		P1	P2	Q1	Q2
mm	min	10.0	5.10	1.5	1.8
mil	min	393.7	200.8	59.1	70.9

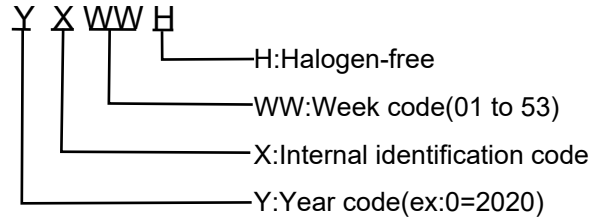
Dimensions is millimeters

Marking Information



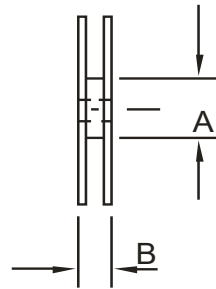
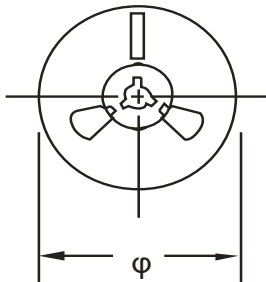
①Product model : LSB40M

②PDC information:

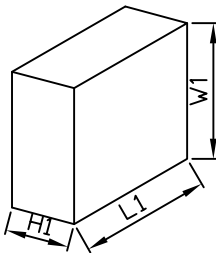


Packaging Information

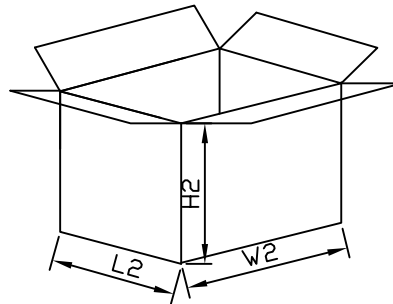
1.Reel Dimensions



2. Inside Box



3. Outside Box



Packaging Information

NO	UNIT	Reel Dimensions			Inside Box			Outside Box		
		φ	A	B	L1	W1	H1	L2	W2	H2
Size	mm	330	100	22	335	335	52	360	360	270
QTY	PCS	Smallest package,3000PCS/reel			6,000PCS,2 reel in total			30,000PCS/carton,5boxes in total		
Note		Tolerance ≤20mm,±3mm;			21-100mm,±5mm;			101-500mm,±10mm		