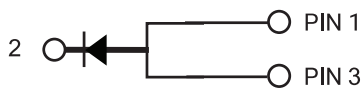


## Trench MOS Barrier Schottky Rectifier

**TSP10S150D-S  
TO-252**



### Features

- Advanced trench technology
- Low forward voltage drop
- Low power losses
- High efficiency operation
- Lead Free Finish, RoHS Compliant

### Applications

- DC/DC Converters
- AC/DC Adaptors
- Switching Power Supplies
- Freewheeling Diodes

### Maximum ratings and electrical characteristics (T<sub>J</sub> = 25°C unless otherwise noted)

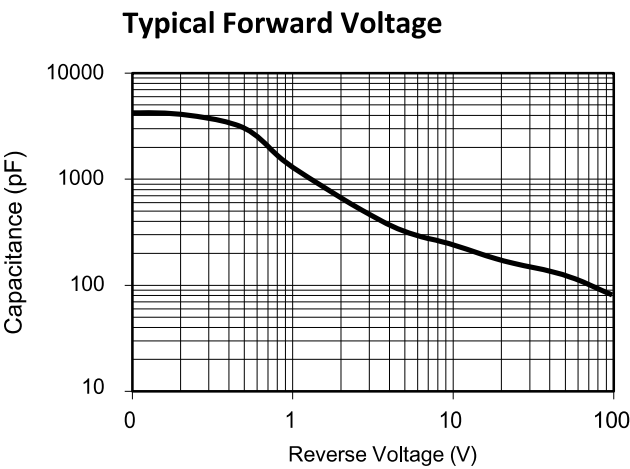
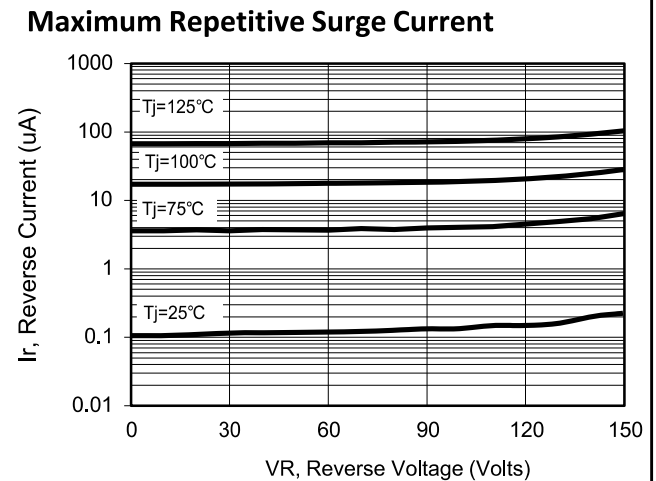
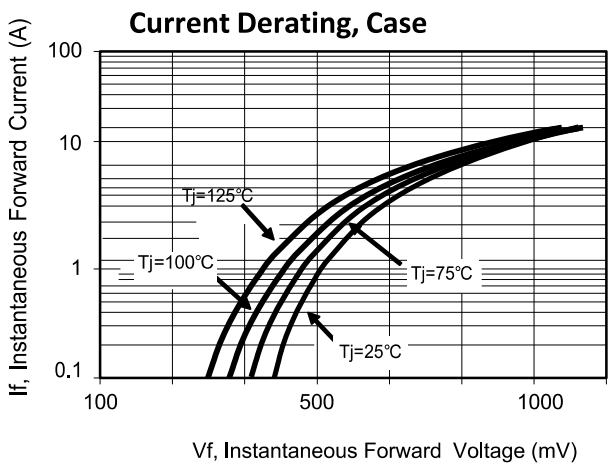
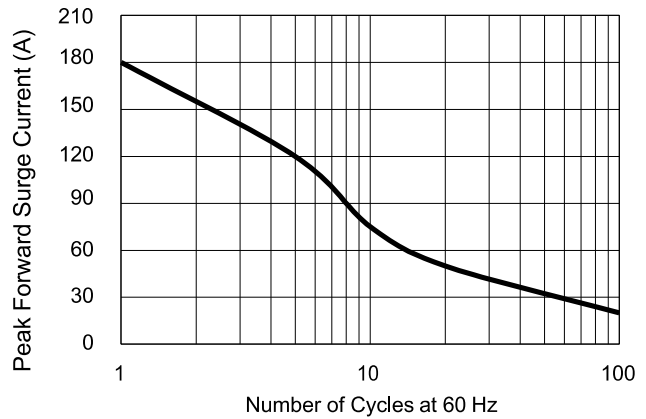
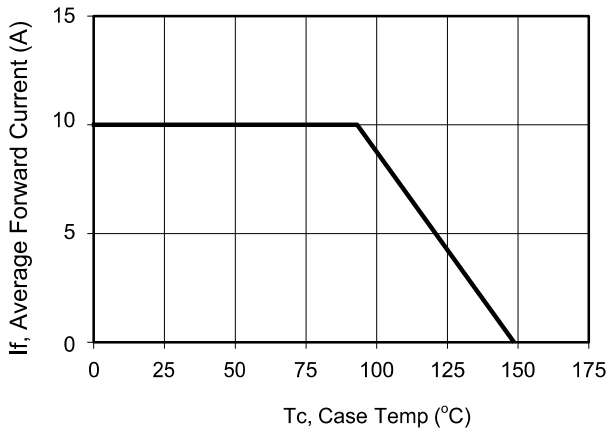
Parameter		Symbol	Limit	Unit	
Maximum repetitive peak reverse voltage		VRRM	150	V	
Maximum average forward rectified current		IF(AV)	10	A	
Peak forward surge current 8.3 ms single half sine- wave superimposed on rated load per diode		IFSM	180	A	
Operating junction and storage temperature range		TJ, TSTG	-50 to +150	°C	
Typical thermal resistance per leg	TO-252	RθJC	6	°C/W	
Instantaneous forward voltage per diode			TYP.	MAX.	V
	IF=2A	TJ=25°C	0.50	0.55	
	IF=2A	TJ=125°C	0.45	-	
	IF=10A	TJ=25°C	0.92	0.97	
	IF=10A	TJ=125°C	0.87	-	
Instantaneous reverse current per diode at rated reverse voltage	TJ=25°C		-	50	µA
	TJ=125°C		-	10	mA

Notes:

(1) Pulse test: 300 µs pulse width, 1 % duty cycle

(2) Pulse test: Pulse width ≦ 40 ms

## RATINGS AND CHARACTERISTICS CURVES (TA = 25 °C unless otherwise noted)



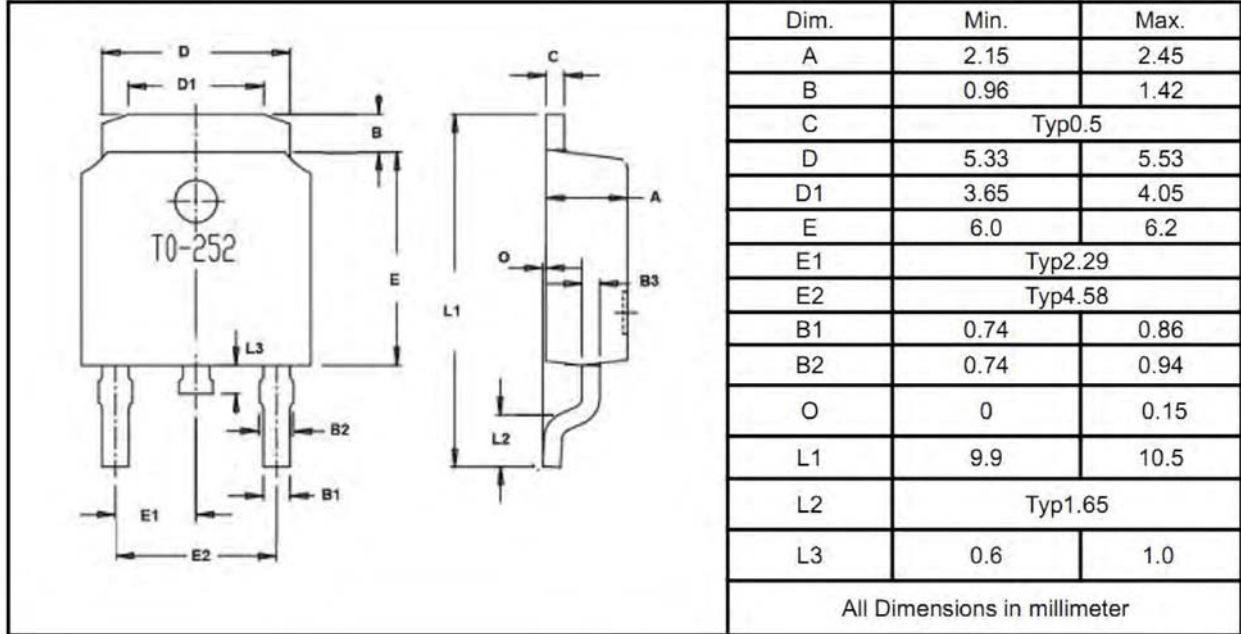
**Typical Reverse Current**

**Typical Junction Capacitance**

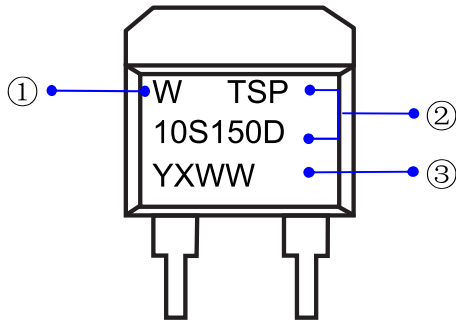
## PACKAGE OUTLINE DIMENSIONS

Note:unit In(mm)

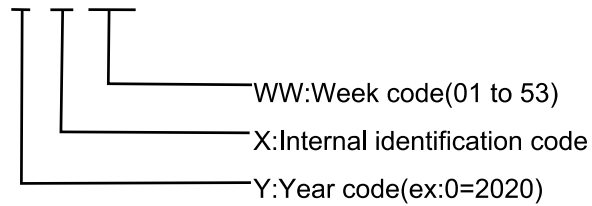
### TO-252



## Marking Information

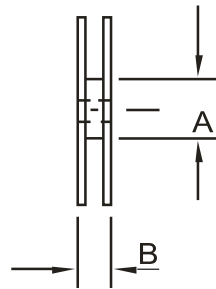
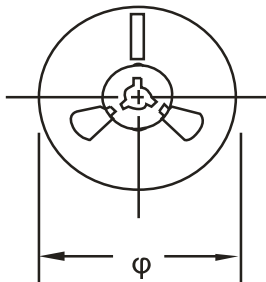


- ①W : Company's trademark
- ②Product model : TSP10S150D For TSP10S150D-S
- ③PDC information: Y X WW

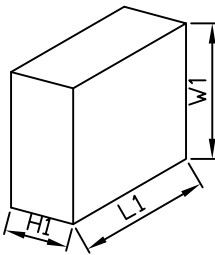


## Packaging Information

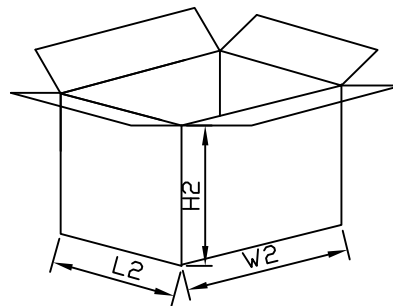
### 1.Reel Dimensions



### 2.Inside Box



### 3.Outside Box



## Packaging Information

NO	UNIT	Reel Dimensions			Inside Box			Outside Box		
		φ	A	B	L1	W1	H1	L2	W2	H2
Size	mm	330	100	15	340	335	45	370	360	270
QTY	PCS	Smallest package,2500PCS/reel			5,000PCS,2 reel in total			25,000PCS/carton,5 boxes in total		
Note		Tolerance ≤20mm,±3mm;			21-100mm,±5mm;			101-500mm,±10mm		