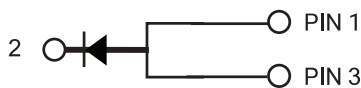
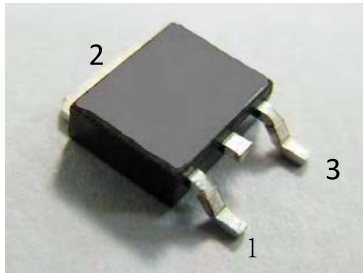


Trench MOS Barrier Schottky Rectifier

**TSP10V150D-S
TO-252**



Features

- Advanced trench technology
- Low forward voltage drop
- Low power losses
- High efficiency operation
- Lead Free Finish, RoHS Compliant

Applications

- DC/DC Converters
- AC/DC Adaptors
- Switching Power Supplies
- Freewheeling Diodes

Maximum ratings and electrical characteristics (T_J = 25°C unless otherwise noted)

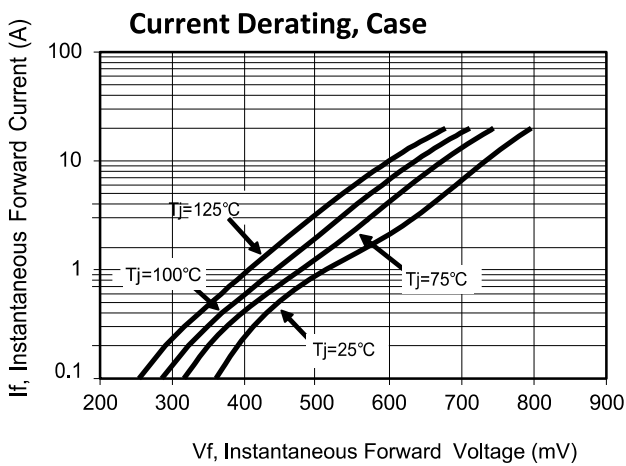
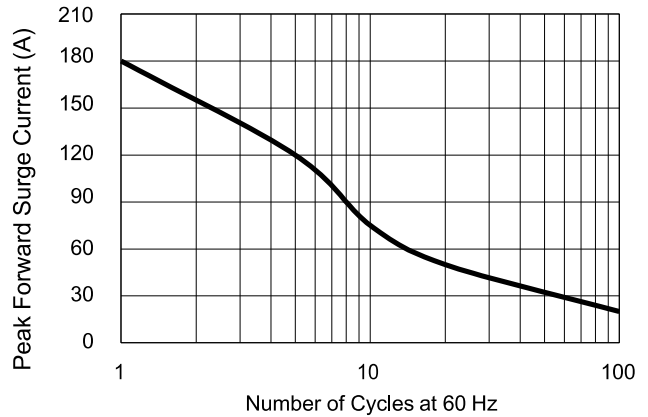
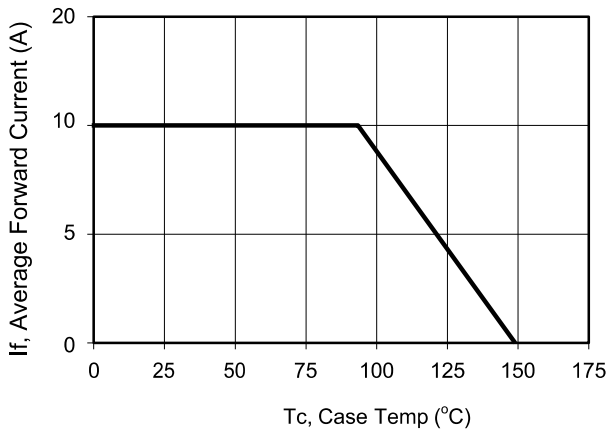
Parameter		Symbol	Limit	Unit		
Maximum repetitive peak reverse voltage		VRRM	150	V		
Maximum average forward rectified current		IF(AV)	10	A		
Peak forward surge current 8.3 ms single half sine- wave superimposed on rated load per diode		IFSM	180	A		
Operating junction and storage temperature range		TJ, TSTG	-50 to +150	°C		
Typical thermal resistance per leg	TO-252	RθJC	6	°C/W		
Instantaneous forward voltage per diode		VF(1)	TYP.	MAX.	V	
	IF=2A		TJ=25°C	0.56		0.61
	IF=2A		TJ=125°C	0.51		-
	IF=10A		TJ=25°C	0.71		0.76
	IF=10A		TJ=125°C	0.66		-
Instantaneous reverse current per diode at rated reverse voltage	TJ=25°C	IR(2)	-	50	µA	
	TJ=125°C		-	10	mA	

Notes:

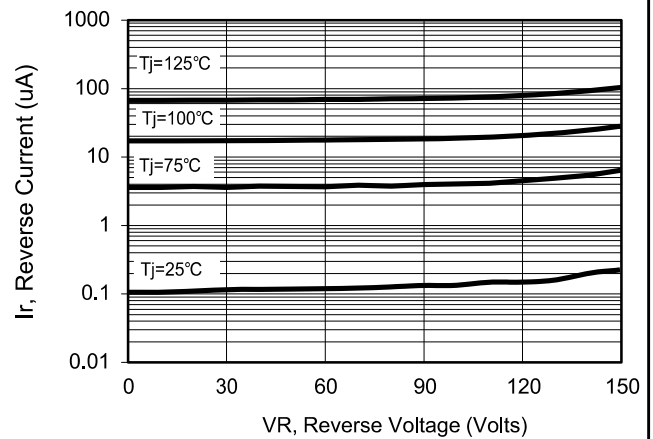
(1) Pulse test: 300 µs pulse width, 1 % duty cycle

(2) Pulse test: Pulse width ≦ 40 ms

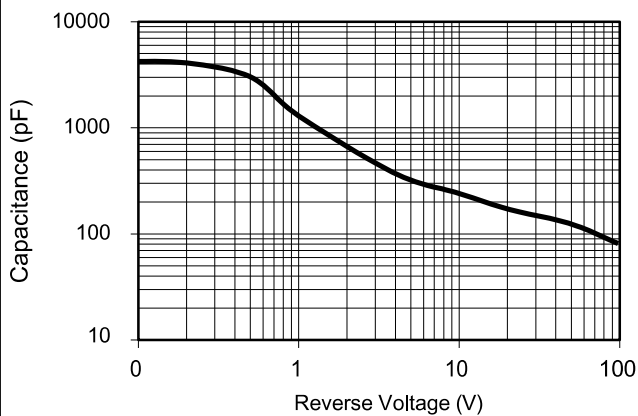
RATINGS AND CHARACTERISTICS CURVES (TA = 25 °C unless otherwise noted)



Maximum Repetitive Surge Current



Typical Forward Voltage



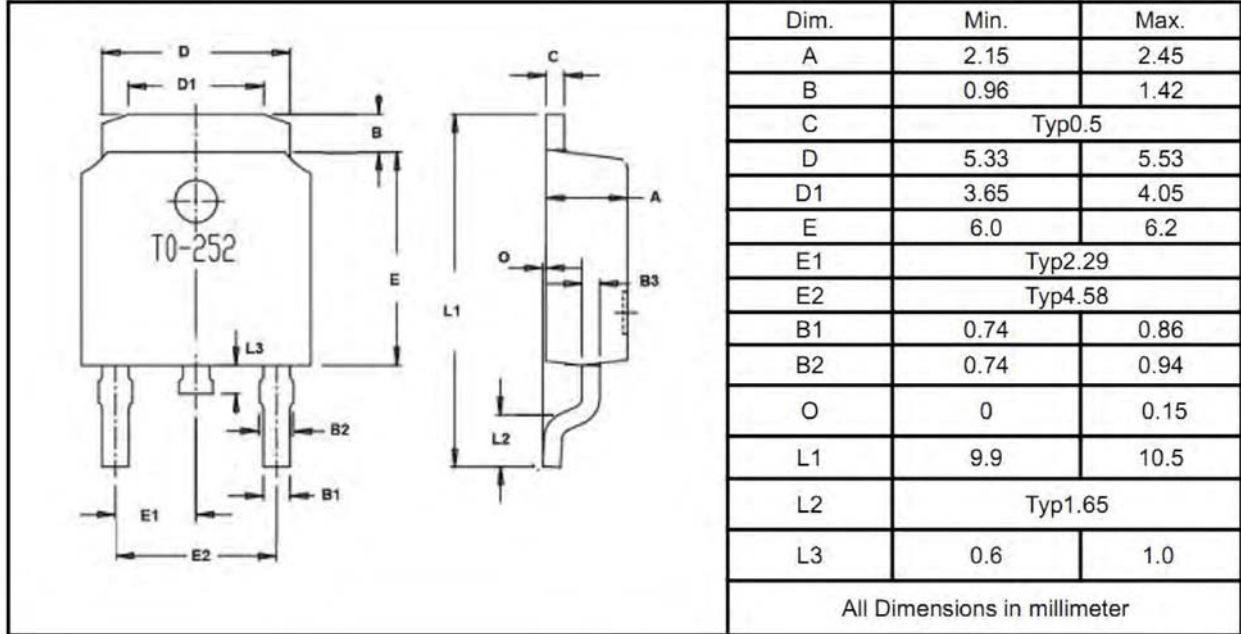
Typical Junction Capacitance

Typical Reverse Current

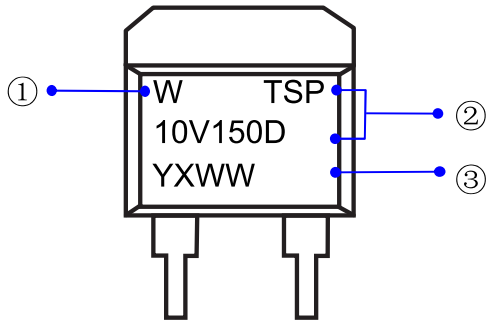
PACKAGE OUTLINE DIMENSIONS

Note:unit In(mm)

TO-252



Marking Information



①W : Company's trademark
②Product model : TSP10V150D For TSP10V150D-S

③PDC information :

④Y X WW

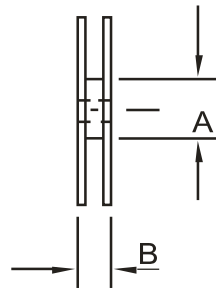
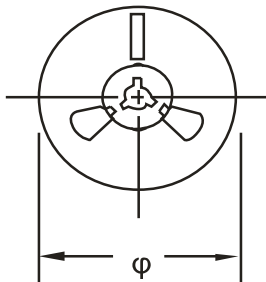
WW:Week code(01 to 53)

X:Internal identification code

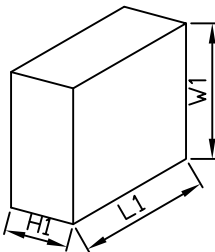
Y:Year code(ex:0=2020)

Packaging Information

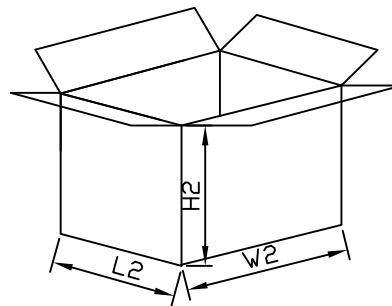
1.Reel Dimensions



2.Inside Box



3.Outside Box



Packaging Information

NO	UNIT	Reel Dimensions			Inside Box			Outside Box		
		φ	A	B	L1	W1	H1	L2	W2	H2
Size	mm	330	100	15	340	335	45	370	360	270
QTY	PCS	Smallest package,2500PCS/reel			5,000PCS,2 reel in total			25,000PCS/carton,5 boxes in total		
Note		Tolerance ≤20mm,±3mm;			21-100mm,±5mm;			101-500mm,±10mm		