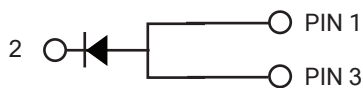
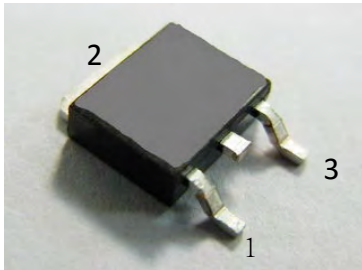


Trench MOS Barrier Schottky Rectifier

**TSP10L100D-S
TO-252**



Features

- Advanced trench technology
- Low forward voltage drop
- Low power losses
- High efficiency operation
- Lead Free Finish, RoHS Compliant

Applications

- DC/DC Converters
- AC/DC Adaptors
- Switching Power Supplies
- Freewheeling Diodes

Maximum ratings and electrical characteristics (T_J = 25°C unless otherwise noted)

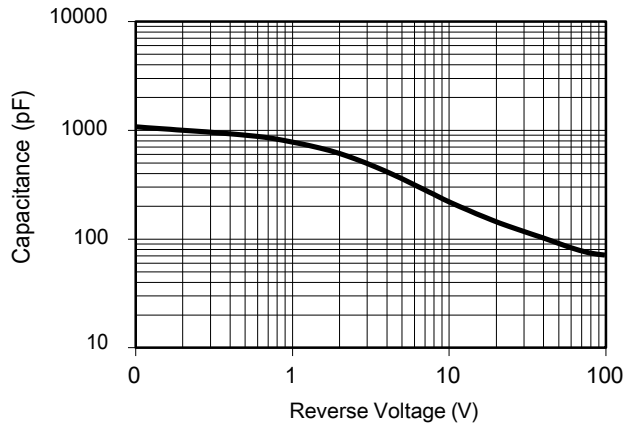
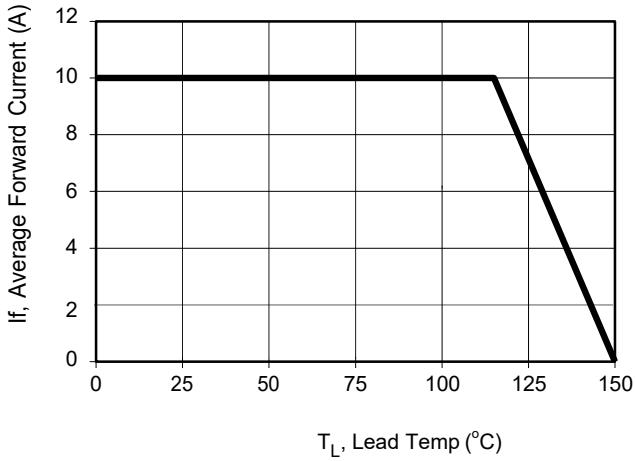
Parameter		Symbol	Limit		Unit
Maximum repetitive peak reverse voltage		VRRM	100		V
Maximum average forward rectified current		IF(AV)	10		A
Peak forward surge current 8.3 ms single half sine- wave superimposed on rated load per diode		IFSM	160		A
Operating junction and storage temperature range		TJ, TSTG	-50 to +150		°C
Typical thermal resistance per leg	TO-252	RθJA	6		°C/W
Instantaneous forward voltage per diode			TYP.	MAX.	V
	IF=2A	TJ=25°C	0.45	0.48	
	IF=2A	TJ=125°C	0.40	-	
	IF=10A	TJ=25°C	0.66	0.71	
	IF=10A	TJ=125°C	0.61	-	
Instantaneous reverse current per diode at rated reverse voltage	TJ=25°C		15	60	uA
	TJ=125°C		-	40	mA

Notes:

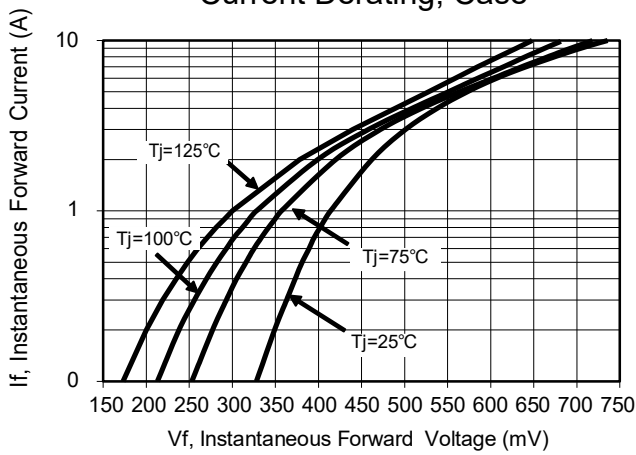
(1) Pulse test: 300 μs pulse width, 1 % duty cycle

(2) Pulse test: Pulse width ≦ 40 ms

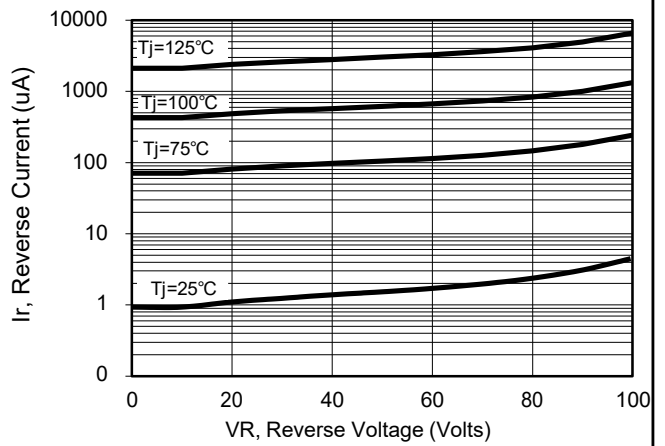
RATINGS AND CHARACTERISTICS CURVES (TA = 25 °C unless otherwise noted)



Current Derating, Case



Typical Forward Voltage

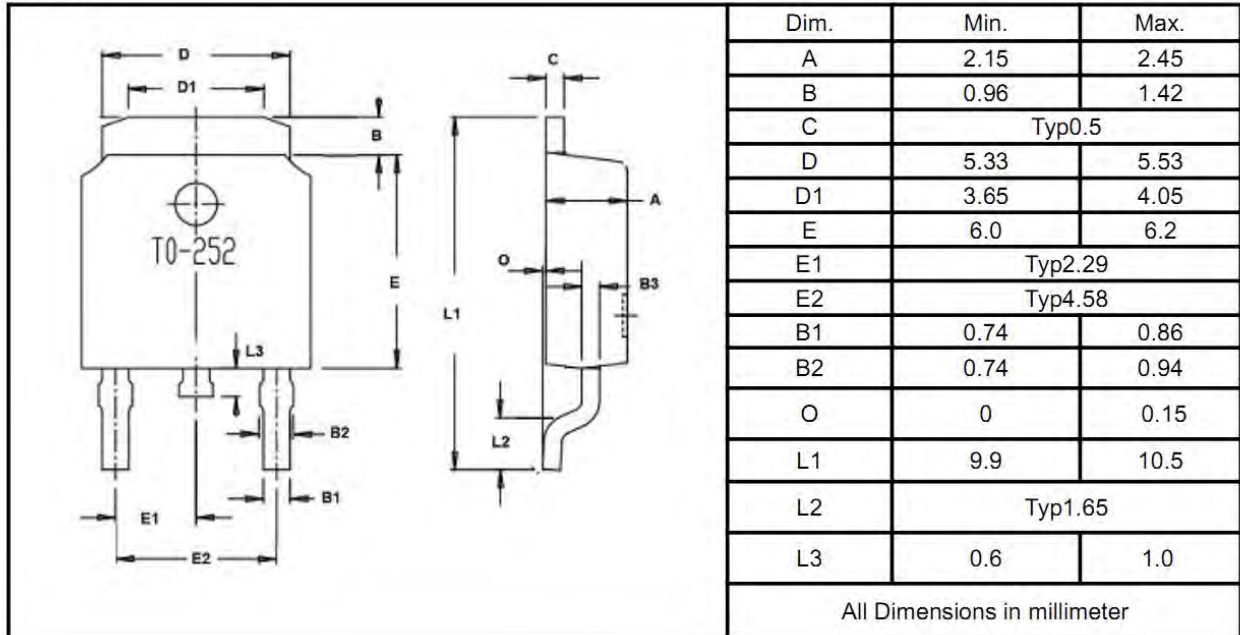


Typical Reverse Current

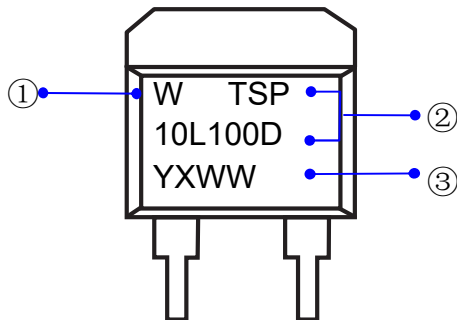
PACKAGE OUTLINE DIMENSIONS

Note:unit In(mm)

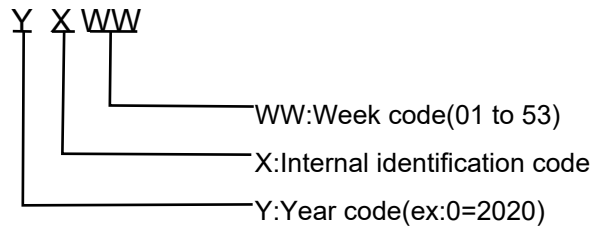
TO-252



Marking Information

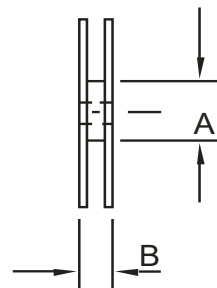
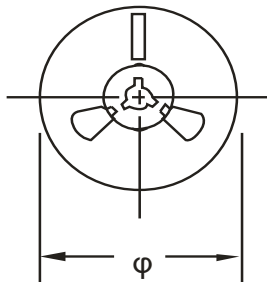


- ①W : Company's trademark
- ②Product model : TSP10L100D For TSP10L100D-S
- ③PDC information :

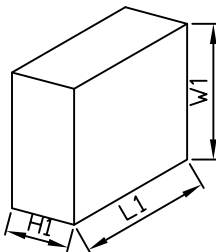


Packaging Information

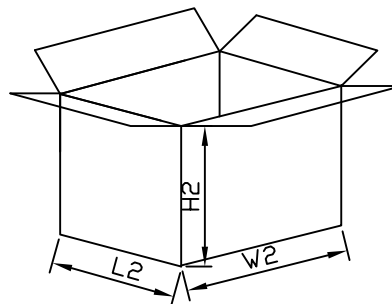
1.Reel Dimensions



2. Inside Box



3. Outside Box



Packaging Information

NO	UNIT	Reel Dimensions			Inside Box			Outside Box		
		φ	A	B	L1	W1	H1	L2	W2	H2
Size	mm	330	100	15	340	335	45	370	360	270
QTY	PCS	Smallest package,2500PCS/reel			5,000PCS,2 reel in total			25,000PCS/carton,5 boxes in total		
Note		Tolerance ≤20mm,±3mm;			21-100mm,±5mm;			101-500mm,±10mm		