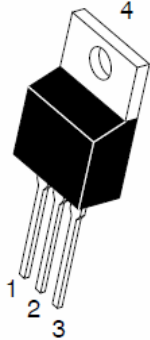
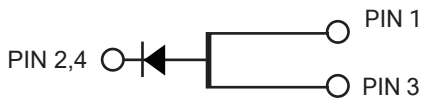
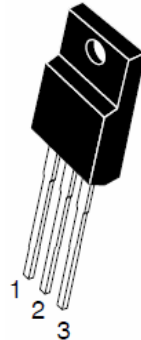


Trench MOS Barrier Schottky Rectifier

TO-220AB
TSR10L100CT-S



ITO-220AB
TSR10L100CTF-S



Features

- Advanced trench technology
- Low forward voltage drop
- Low power losses
- High efficiency operation
- Lead Free Finish, RoHS Compliant

Applications

- DC/DC Converters
- AC/DC Adaptors
- Switching Power Supplies
- Freewheeling Diodes

Maximum ratings and electrical characteristics (T_J = 25°C unless otherwise noted)

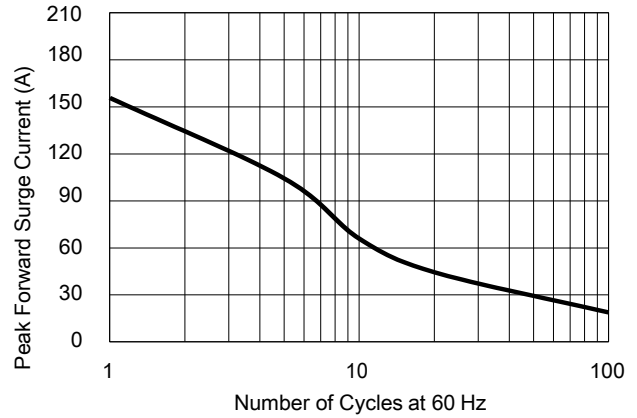
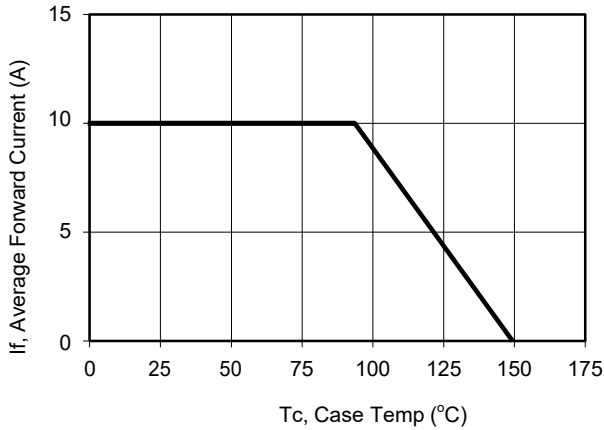
Parameter		Symbol	Limit		Unit
Maximum repetitive peak reverse voltage		VRRM	100		V
Maximum average forward rectified current	per device	IF(AV)	10		A
Peak forward surge current 8.3 ms single half sine- wave superimposed on rated load per diode		IFSM	160		A
Operating junction and storage temperature range		TJ, TSTG	-55 to +150		°C
Typical thermal resistance per leg	TO-220AB	RθJC	2		°C/W
	ITO-220AB		4		°C/W
Instantaneous forward voltage per diode			TYP.	MAX.	V
	IF=2A	TJ=25°C	0.44	0.50	
	IF=2A	TJ=125°C	0.39	-	
	IF=10A	TJ=25°C	0.63	0.70	
Instantaneous reverse current per diode at rated reverse voltage					
			IR(2)		
		TJ=25°C	-	50	µA
		TJ=125°C	-	10	mA

Notes:

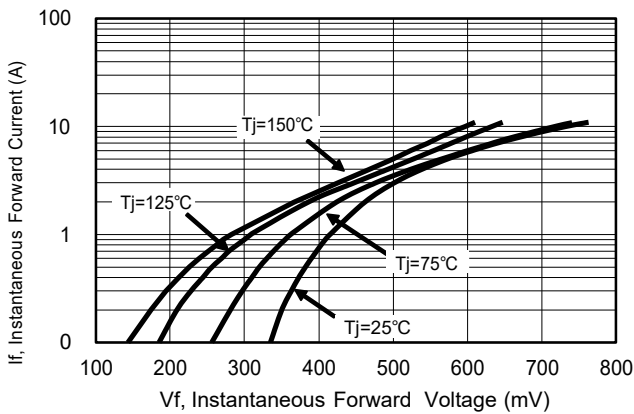
(1) Pulse test: 300 µs pulse width, 1 % duty cycle

(2) Pulse test: Pulse width ≦ 40 ms

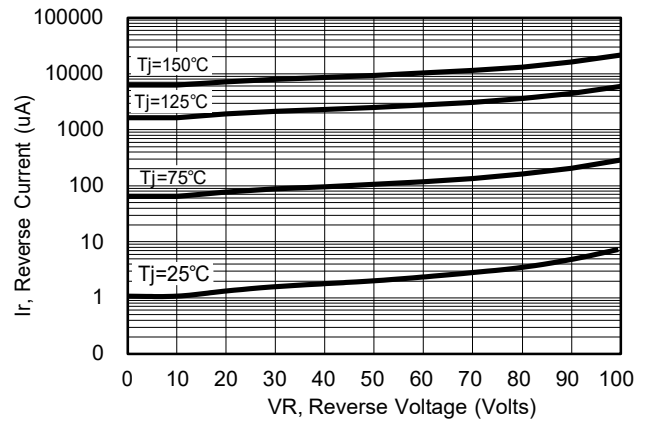
RATINGS AND CHARACTERISTICS CURVES (TA = 25 °C unless otherwise noted)



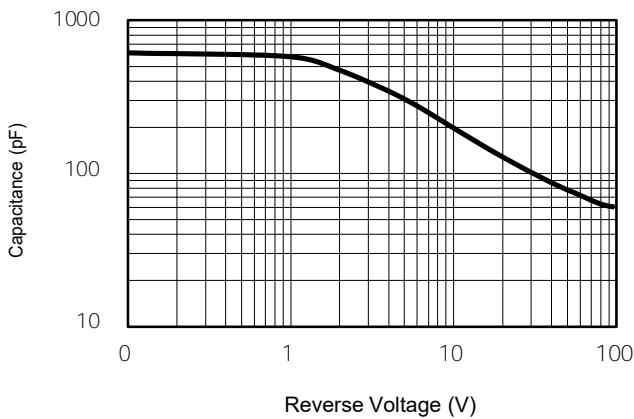
Current Derating, Case



Maximum Repetitive Surge Current



Typical Forward Voltage



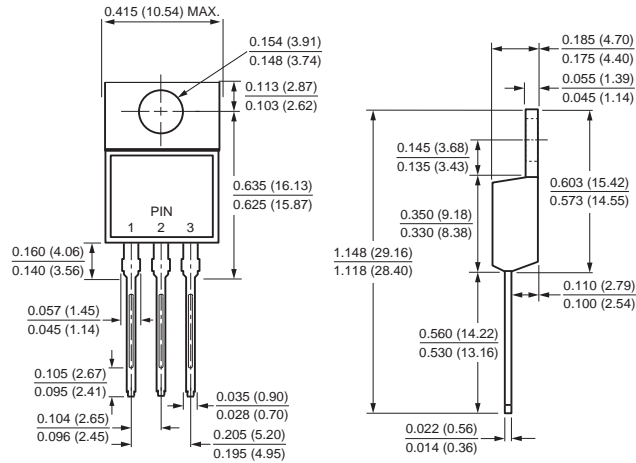
Typical Reverse Current

Typical Junction Capacitance

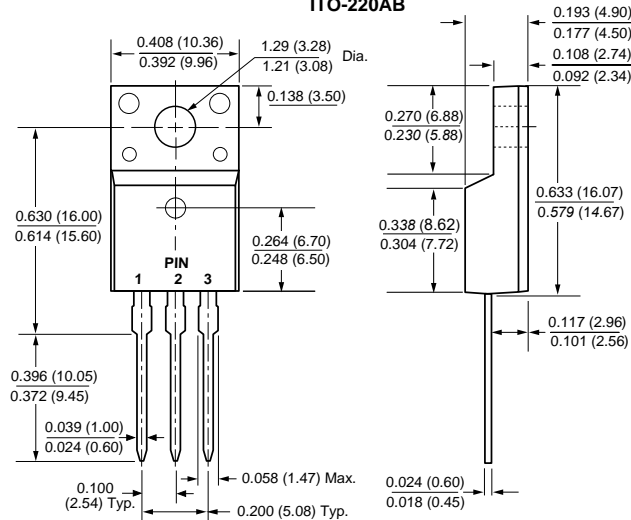
PACKAGE OUTLINE DIMENSIONS

Note:unit In(mm)

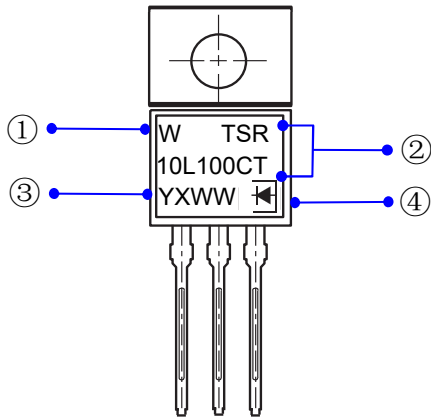
TO-220AB



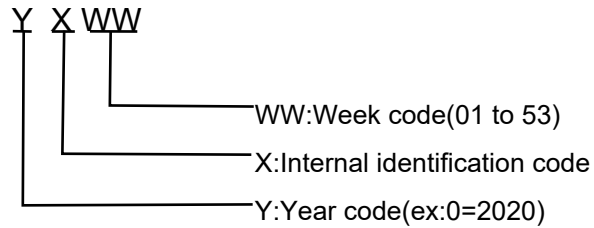
ITO-220AB




Marking Information



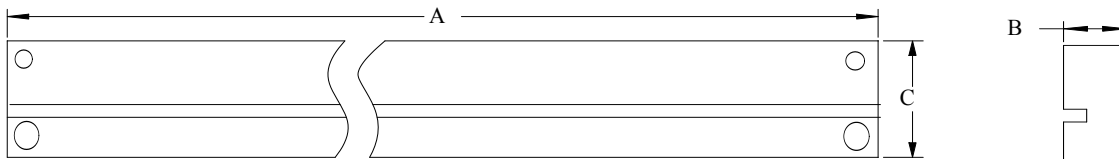
- ①W : Company's trademark
- ②Product model : TSR10L100CT or TSR10L100CTF
- ③PDC information:



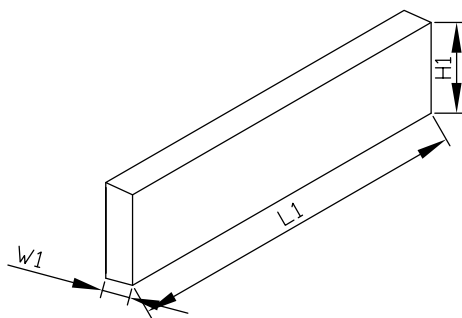
- ④  Singal wafer

Packaging Information

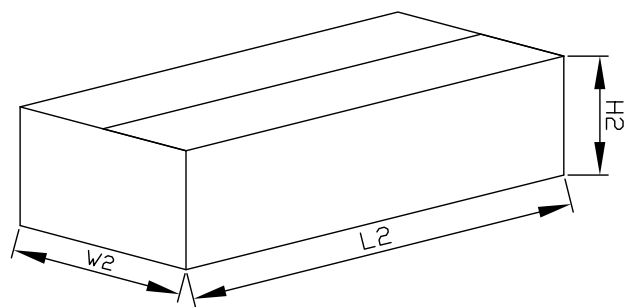
1.Tube Dimensions



2.Inside Box



3.Outside Box



Packaging Information

NO	UNIT	Tube Dimensions			Inside Box			Outside Box		
		A	B	C	L1	W1	H1	L2	W2	H2
Size	mm	530	7	33	570	46	150	590	260	180
QTY	PCS	50PCS/Tube			Smallest package,1000PCS, 20 tube in total			5,000PCS/carton,5 boxes in total		
Note	Tolerance ≤20mm,±3mm; 21-100mm,±5mm; 101-500mm,±10mm									