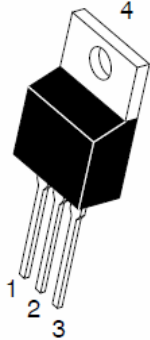
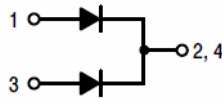
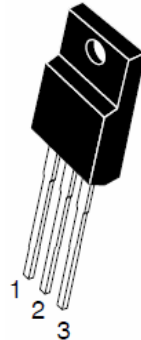


## Trench MOS Barrier Schottky Rectifier

**TO-220AB**  
**TSR20V200CT**



**ITO-220AB**  
**TSR20V200CTF**



### Features

- Advanced trench technology
- Low forward voltage drop
- Low power losses
- High efficiency operation
- Lead Free Finish, RoHS Compliant

### Applications

- DC/DC Converters
- AC/DC Adaptors
- Switching Power Supplies
- Freewheeling Diodes

### Maximum ratings and electrical characteristics (T<sub>J</sub> = 25°C unless otherwise noted)

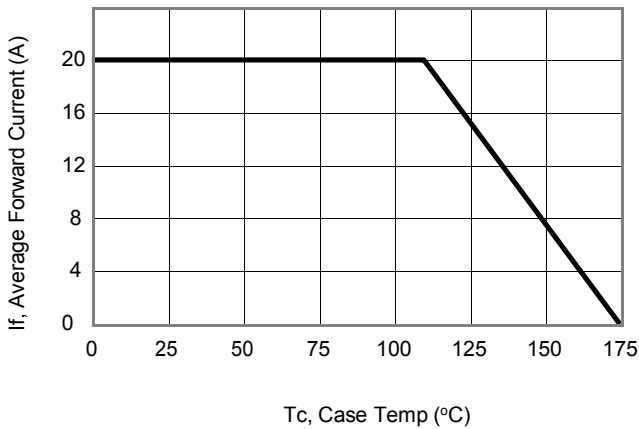
Parameter		Symbol	Limit		Unit
Maximum repetitive peak reverse voltage		VRRM	200		V
Maximum average forward rectified current	device	IF(AV)	20		A
	per diode		10		
Peak forward surge current 8.3 ms single half sine- wave superimposed on rated load per diode		IFSM	220		A
Operating junction and storage temperature range		TJ, TSTG	-50 to +175		°C
Typical thermal resistance per leg	TO-220AB	RθJC	2		°C/W
	ITO-220AB		4		°C/W
Instantaneous forward voltage per diode			TYP.	MAX.	V
	IF=3A	TJ=25°C	0.72	-	
	IF=3A	TJ=125°C	0.63	-	
	IF=10A	TJ=25°C	0.76	0.83	
	IF=10A	TJ=125°C	0.68	-	
Instantaneous reverse current per diode at rated reverse voltage	TJ=25°C	IR(2)	1	100	µA
	TJ=125°C		-	10	mA

Notes:

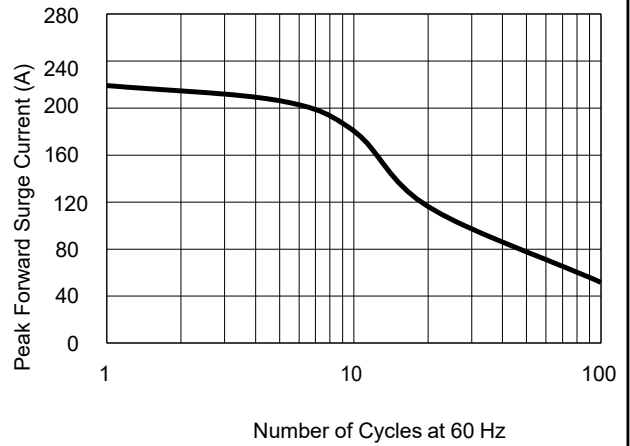
(1) Pulse test: 300 µs pulse width, 1 % duty cycle

(2) Pulse test: Pulse width ≦ 40 ms

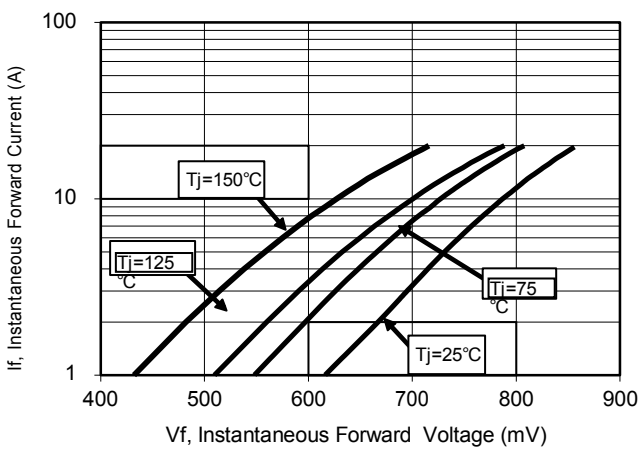
## RATINGS AND CHARACTERISTICS CURVES (TA = 25 °C unless otherwise noted)



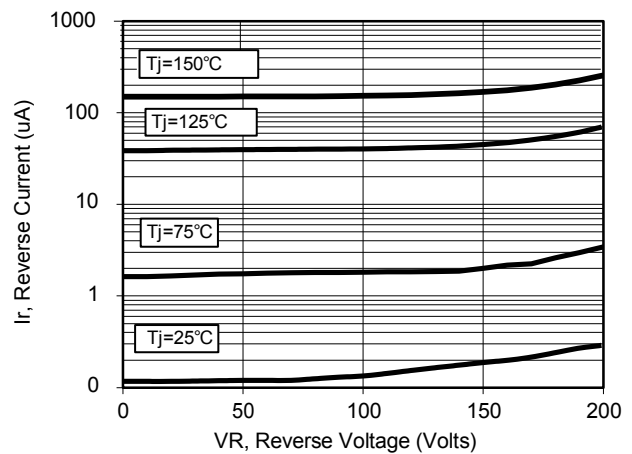
**Figure 1: Current Derating, Case**



**Figure 2: Maximum Repetitive Surge Current**



**Figure 3: Typical Forward Voltage**

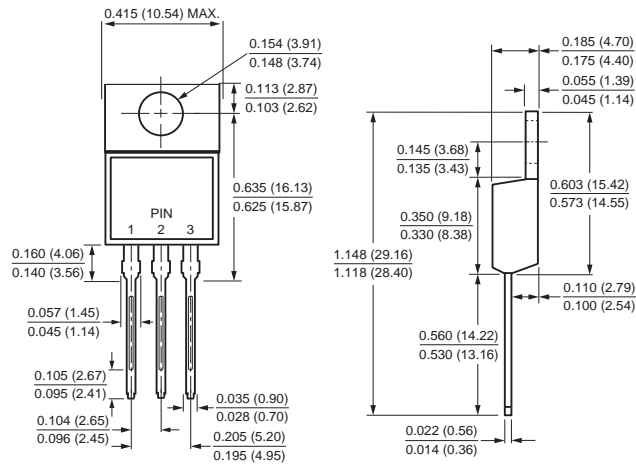


**Figure 4: Typical Reverse Current**

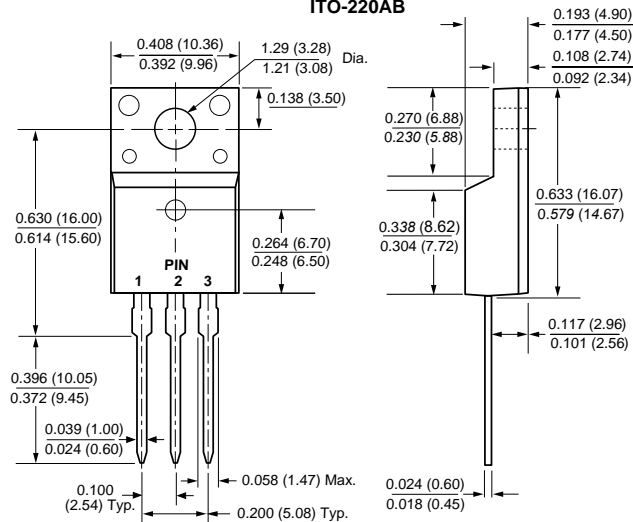
## PACKAGE OUTLINE DIMENSIONS

Note:unit In(mm)

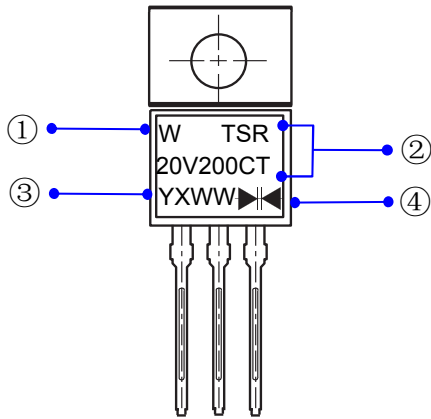
TO-220AB



ITO-220AB

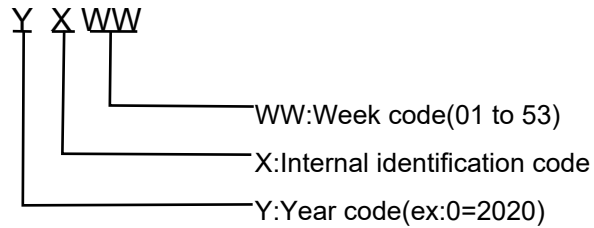


## Marking Information



①W : Company's trademark  
②Product model : TSR20V200CT or TSR20V200CTF

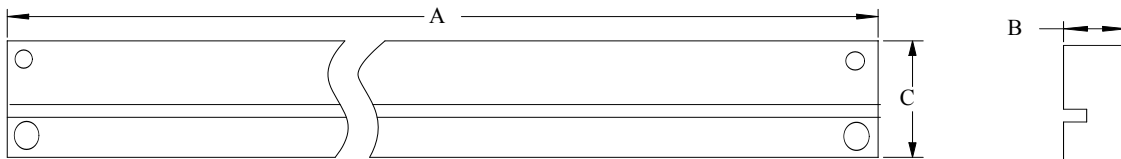
③PDC information:



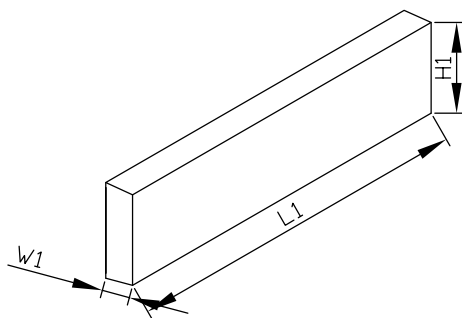
④  Double wafer

## Packaging Information

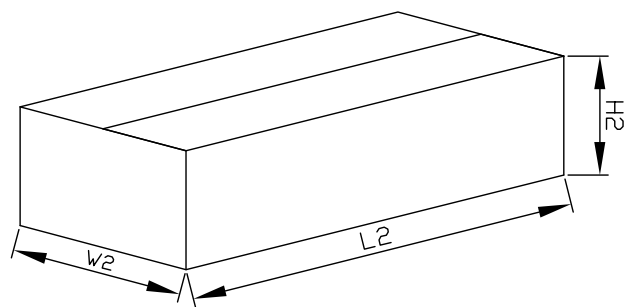
### 1. Tube Dimensions



### 2. Inside Box



### 3. Outside Box



## Packaging Information

NO	UNIT	Tube Dimensions			Inside Box			Outside Box		
		A	B	C	L1	W1	H1	L2	W2	H2
Size	mm	530	7	33	570	46	150	590	260	180
QTY	PCS	50PCS/Tube			Smallest package,1000PCS, 20 tube in total			5,000PCS/carton,5 boxes in total		
Note	Tolerance ≤20mm,±3mm; 21-100mm,±5mm; 101-500mm,±10mm									